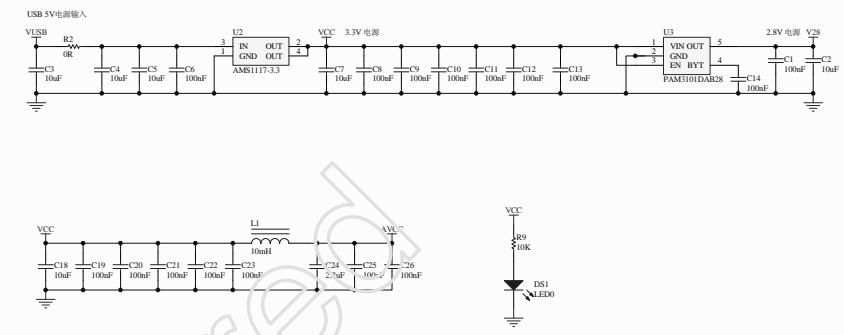
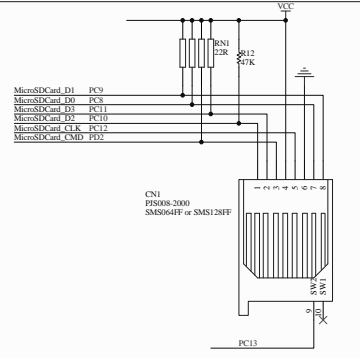


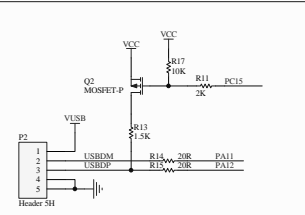
STM32F103_CORE



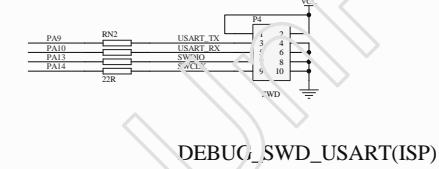
POWER



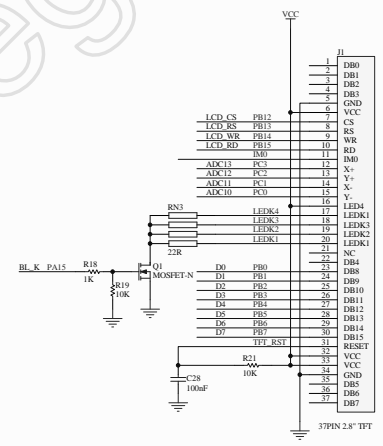
SD/TF Card



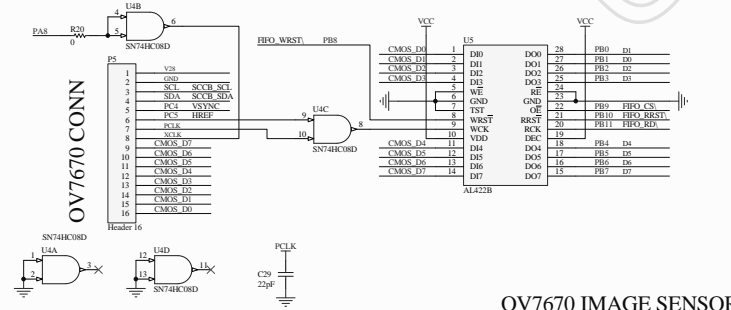
USB



DEBUG_SWD_USART(ISP)



EXT_GPIO



OV7670 IMAGE SENSOR+FIFO

2.8" TFT

Title		STM32 CAM Guanfu_wang	
Size	Number	Revision	
A2	Main	REV3.0	
Date:	2010-3-25	Sheet of	
File:	C:\STM32_FOR_OV7670\SCHDOC	Drawn By:	